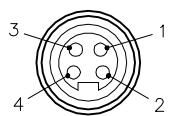


FEMALE END VIEW

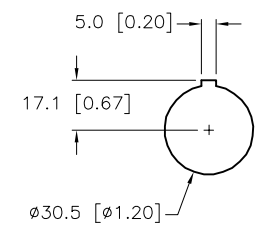
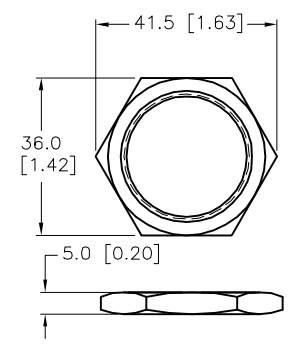
M30x1.5 LOCKNUT

PANEL CUTOUT (TYPICAL)

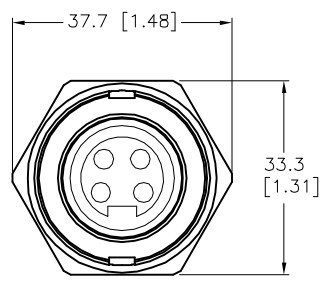
SPECIFICATIONS



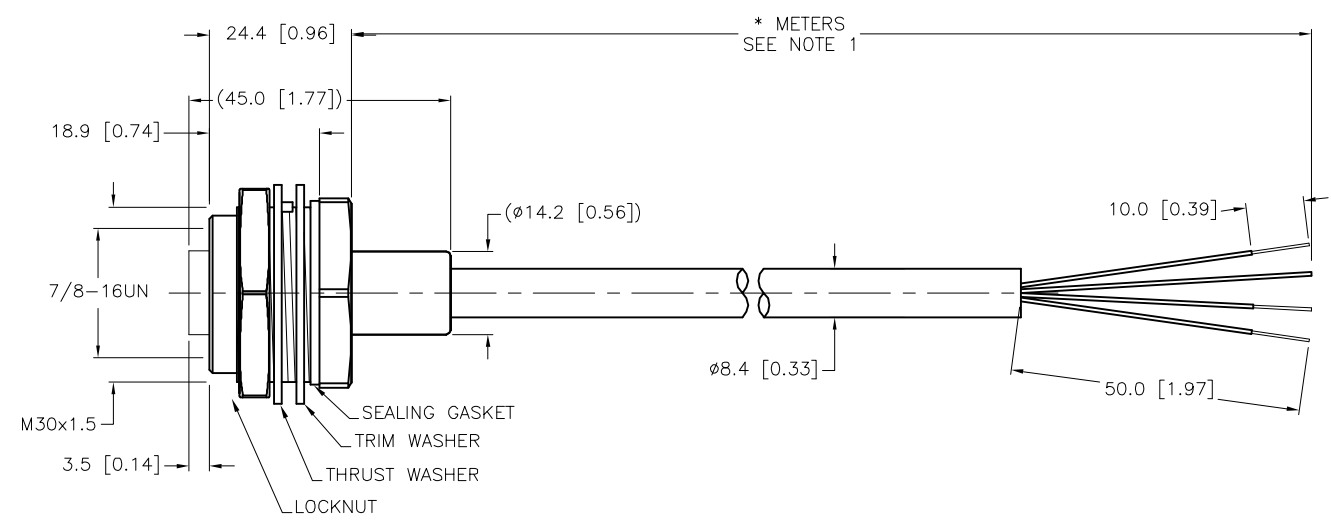
- 1 = DRAIN (SHLD)
- 2 = WHITE (DB)
- 3 = YELLOW (DG)
- 4 = BLUE (DA)



CONTACT CARRIER MATERIAL	TPU
MOLDED HEAD MATERIAL/COLOR	TPU/BLACK
CONTACT MATERIAL/PLATING	BRASS/GOLD
HOUSING MATERIAL/PLATING	BRASS/NICKEL
RATED CURRENT [A]	6.0 A
RATED VOLTAGE [V]	300 V
OUTER JACKET MATERIAL/COLOR	PVC/BROWN
CONDUCTOR INSULATION MATERIAL	PE
NUMBER OF CONDUCTORS [AWG]	3x20 AWG, 20 AWG DRAIN
SHIELDING	ALUM.-POLYESTER FOIL & T-C BRAIDED
TEMPERATURE RANGE	-40°C to +80°C (-40°F to +176°F)
PROTECTION CLASS	NEMA 1,3,4,6P,12 & IECIP67, IP68,IP69,IP69K
ACCOMMODATES WALL THICKNESS	.050" (1.3mm) to .250" (6.4mm)



END VIEW
LOCKNUT NOT
SHOWN



CABLE LENGTH	TOLERANCE*
ALL LENGTHS	+ 4% (OR 50mm) OF LENGTH - 0% (OR 0mm) OF LENGTH WHICHEVER IS GREATER
STRIP LENGTH	TOLERANCE*
0-7mm	±0.5mm
8-29mm	±1.0mm
30-49mm	±2.0mm
50-69mm	±3.0mm
70-100mm	±4.0mm
OVER 100mm	±5.0mm

* UNLESS OTHERWISE SPECIFIED

SOURCE DRAWING - FOR REFERENCE ONLY

NOTES:
1. "*" INDICATES CABLE LENGTH IN METERS. CONTACT TURCK TO ORDER SPECIFIC LENGTHS.

RELATED DOCUMENTS 1. 2. 3. 4.	3RD ANGLE PROJECTION 	THIS DRAWING IS CONFIDENTIAL AND THE PROPERTY OF TURCK INC. USE OF THIS DOCUMENT WITHOUT WRITTEN PERMISSION IS PROHIBITED.		3000 CAMPUS DRIVE MINNEAPOLIS, MN 55441 1-800-544-7769 (763) 553-7300 (763) 553-0708 fax www.turck.us	
		DRFT	RDS	DATE 05/25/05	DESCRIPTION RKFP 430-*M
MATERIAL	ALL DIMENSIONS DISPLAYED ON THIS DRAWING ARE FOR REFERENCE ONLY	APVD	SCALE 1=1.3	IDENTIFICATION NO. REV G	
FINISH		UNIT OF MEASUREMENT MILLIMETER [INCH]			
G UPDATE PROTECTION CLASS		CBM	04/13/21	76628	DO NOT SCALE THIS DRAWING
REV	DESCRIPTION	BY	DATE	ECO NO.	FILE: 777006996
					SHEET 1 OF 1